

# **PAMS Technical Documentation**

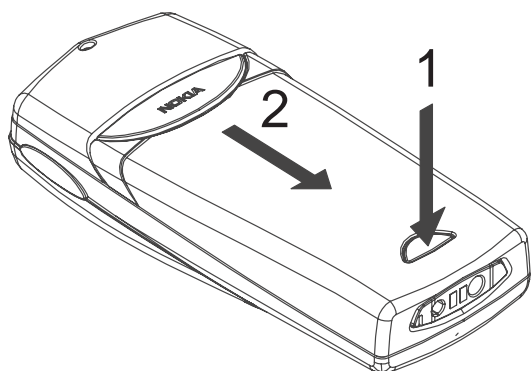
## **NHM-7 Series Transceivers**

# **Disassembly Instructions**

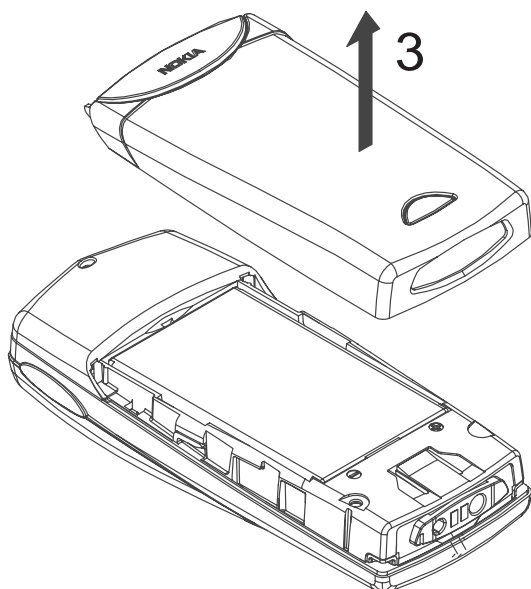
**CONTENTS**

Disassembly of NHM-7 – NOKIA 8310 and 6500 – ..... 3

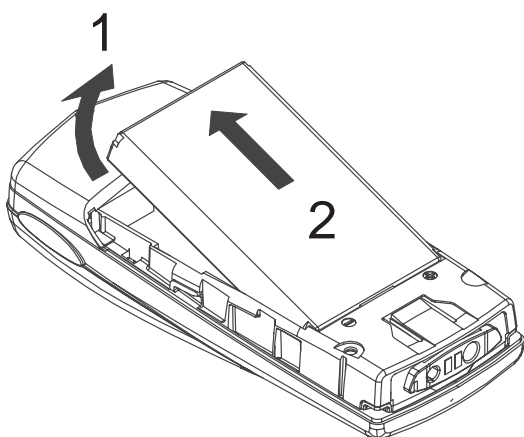
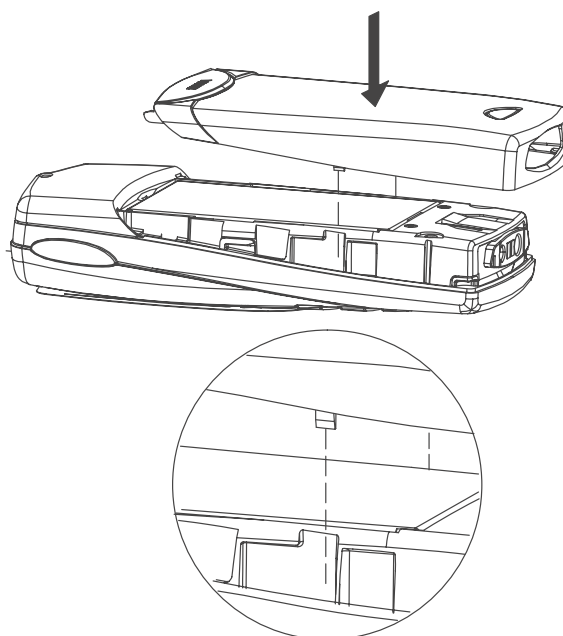
## Disassembly of NHM-7 – NOKIA 8310 and 6500 –



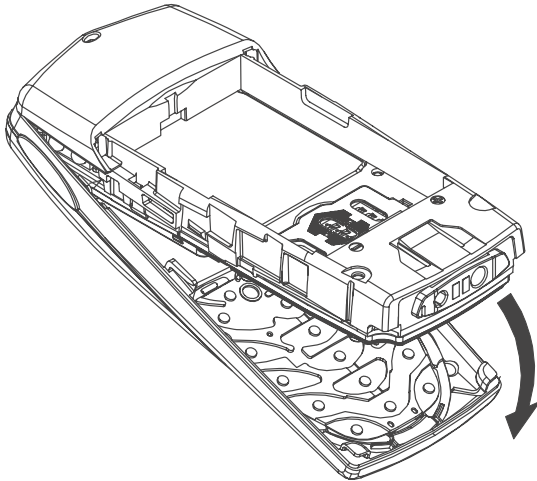
Remove Battery cover.



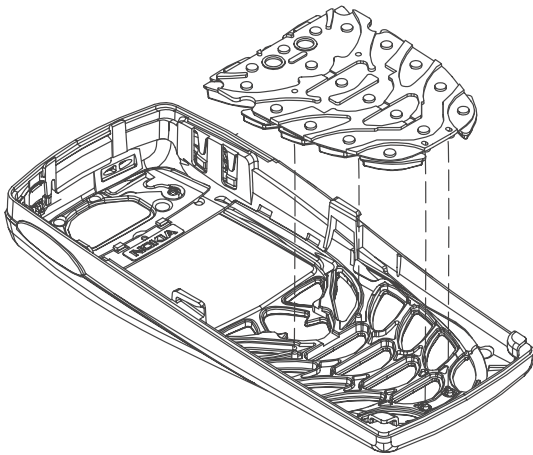
In assembly note!



Remove Battery.

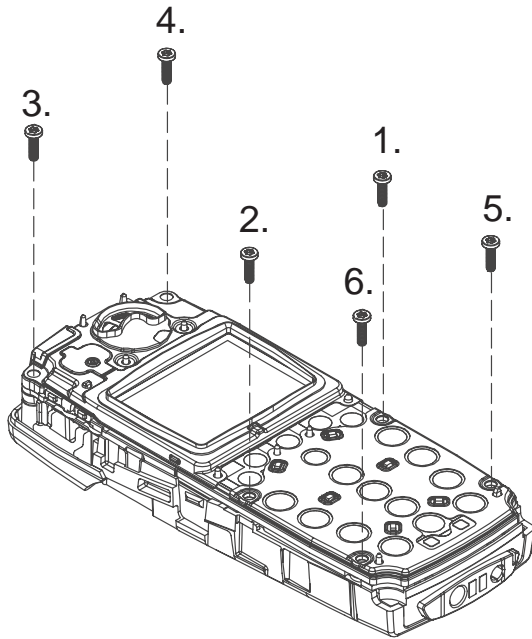


Remove A-cover.



Remove Keypad  
(only if it is necessary to re-  
place keypad).

In assembly place A-cover  
pins (4 pieces) in respective  
holes in the keypad.



Remove the 6 screws.

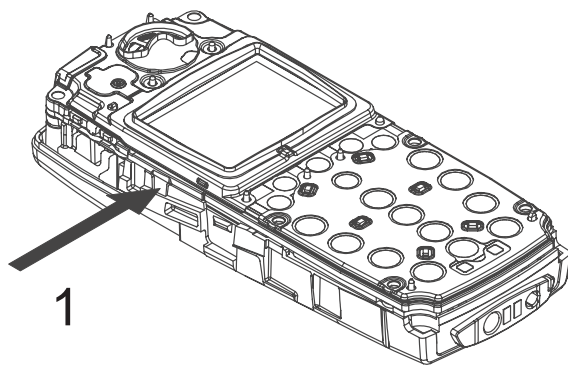
Drive size is torx plus 6.

Tightening torque is 17 Ncm.

Fastening order in the picture, reverse in disassembly.

In assembly check that PCB is not bent.

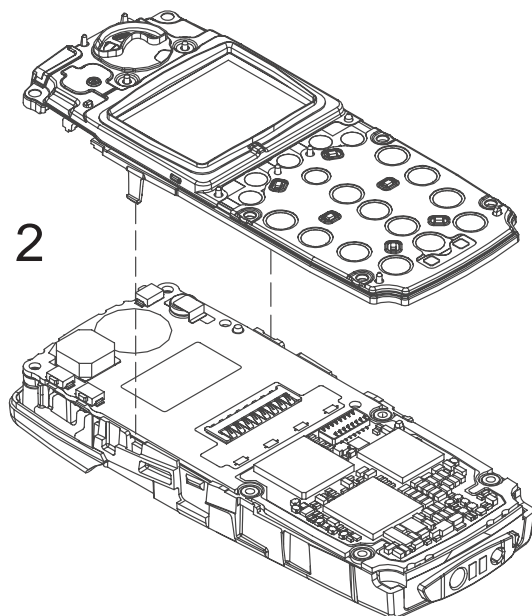
**Note!** Screws contain thread locking compound. Used screws must be scrapped and not used again.



Remove UI module.

1. Use plastic tweezers or similar tool to gently press the UI module locking snap.

Note locking snaps when assembling UI.

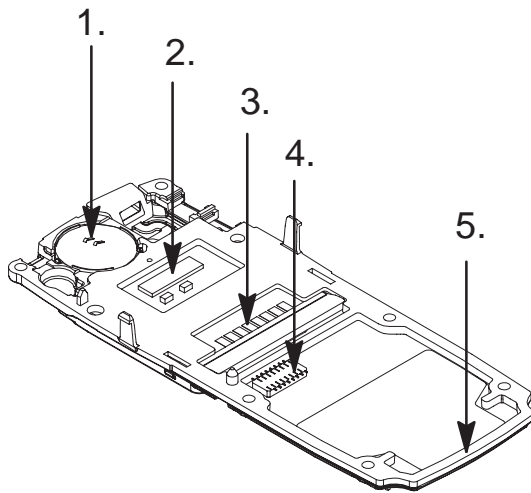


2. Carefully lift up the UI module.

**UI handling precautions!**

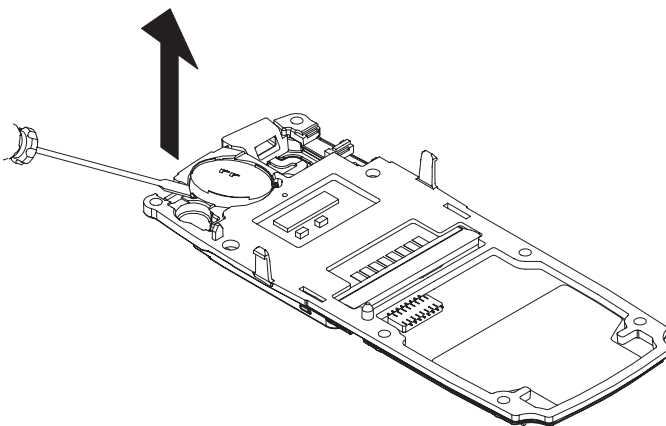
Do not damage the following items when handling the UI module:

1. Speaker spring contacts.
2. LCD driver.
3. LCD contact pads.
4. UI PWB contact pads.
5. UI frame metal coating.



**UI handling precautions!**

1. Speaker spring contacts.
2. LCD driver.
3. LCD contact pads.
4. UI PWB contact pads.
5. UI frame metal coating.

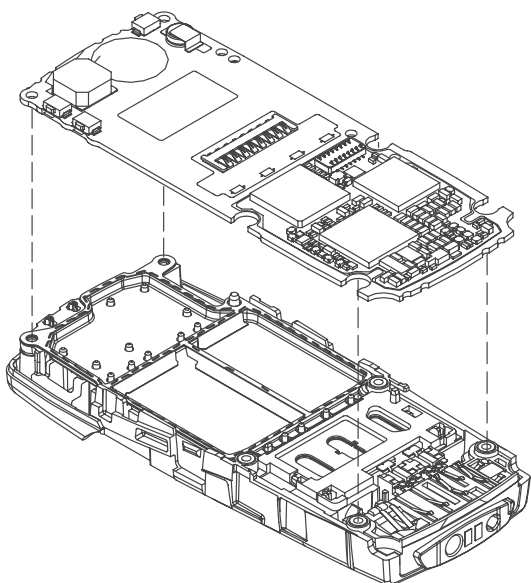


**Remove speaker**

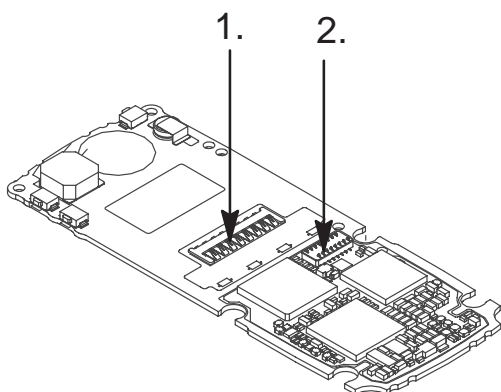
(only if it is necessary to replace speaker).

Speaker can be lifted up using straight-bladed screwdriver as shown in the picture.

**Note!** Do not touch speaker springs or membrane.



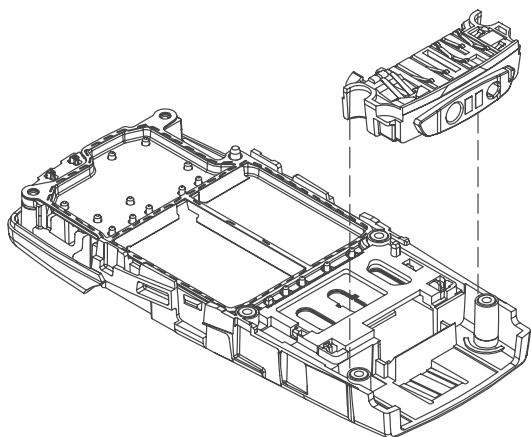
## Remove System Module



## System Module handling precautions!

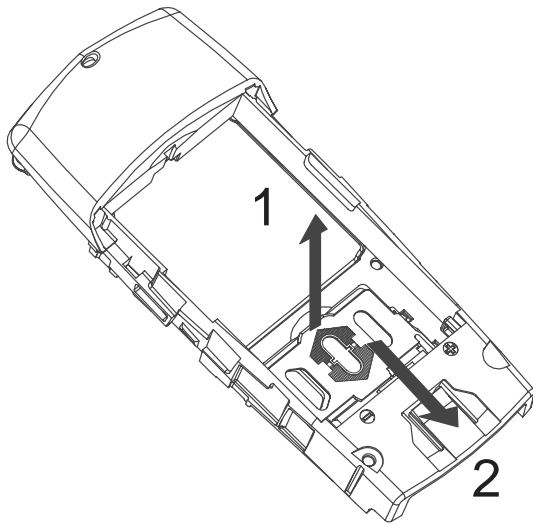
Do not touch the following spring contacts when handling the module:

1. LCD connector.
2. Board to board connector.



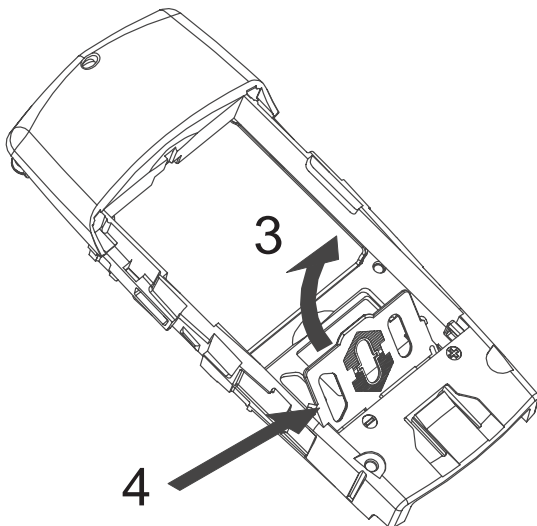
## Remove System connector

Note! Do not damage the spring contacts in the System connector.



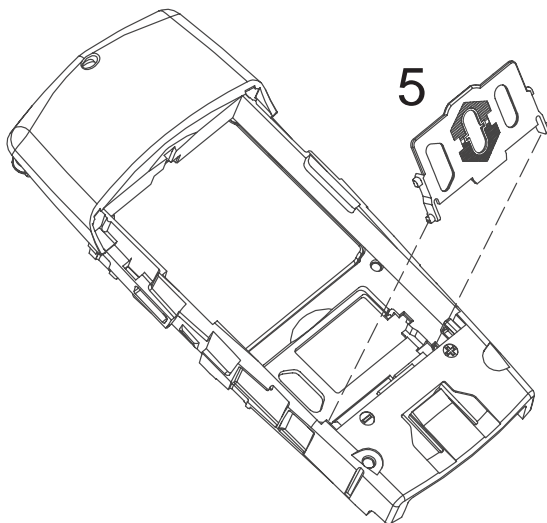
**Remove SIM cover**  
(only if it is necessary to replace SIM cover).

1. Slightly lift the front edge of the SIM cover to unlocked position
2. and slide it backwards.



3. Turn the SIM cover to upright position.

4. Squeeze the SIM cover slightly from the side to release the side fixings one at the time.



5. Pull SIM cover out of B cover.